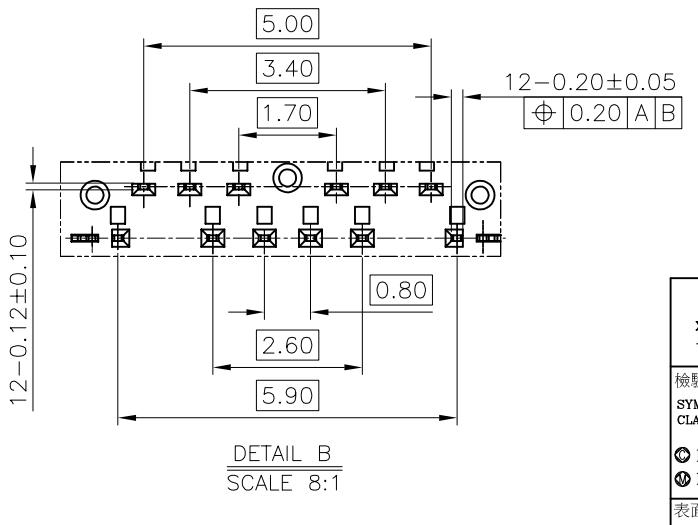
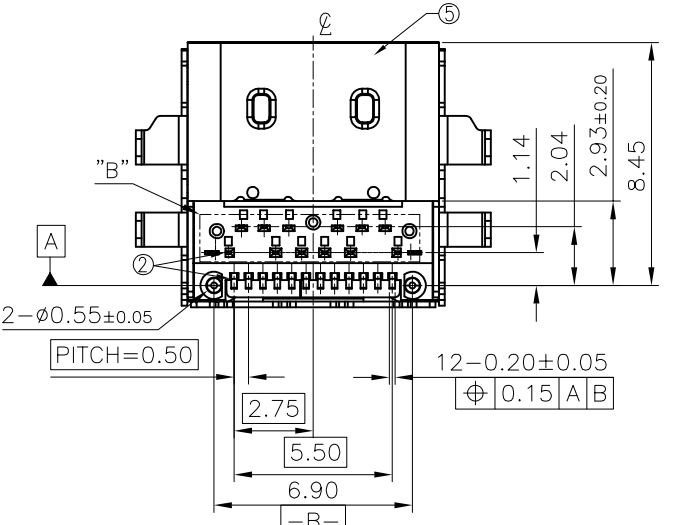
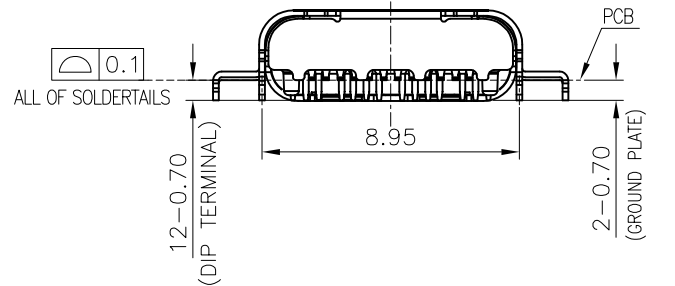
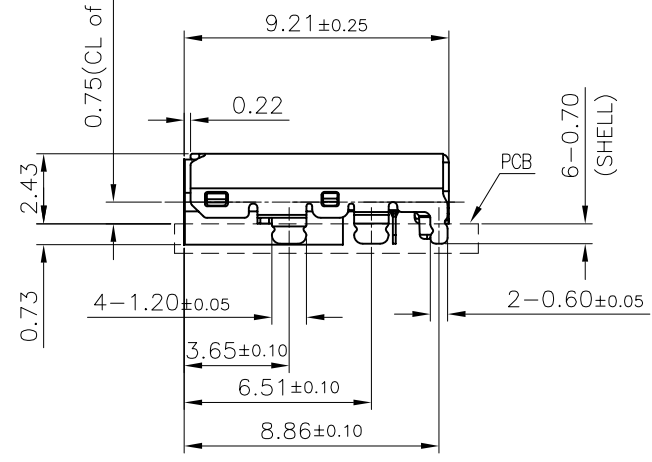
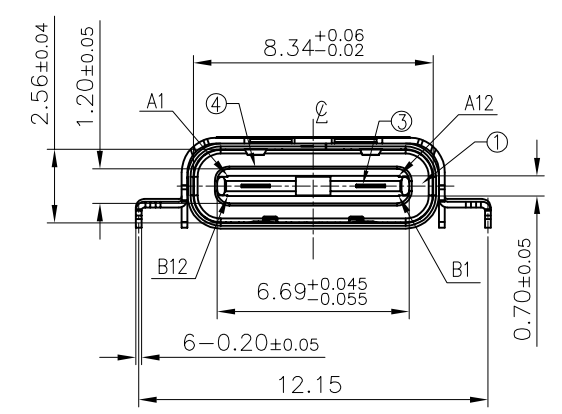
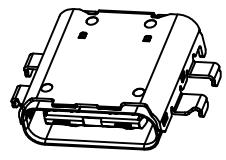


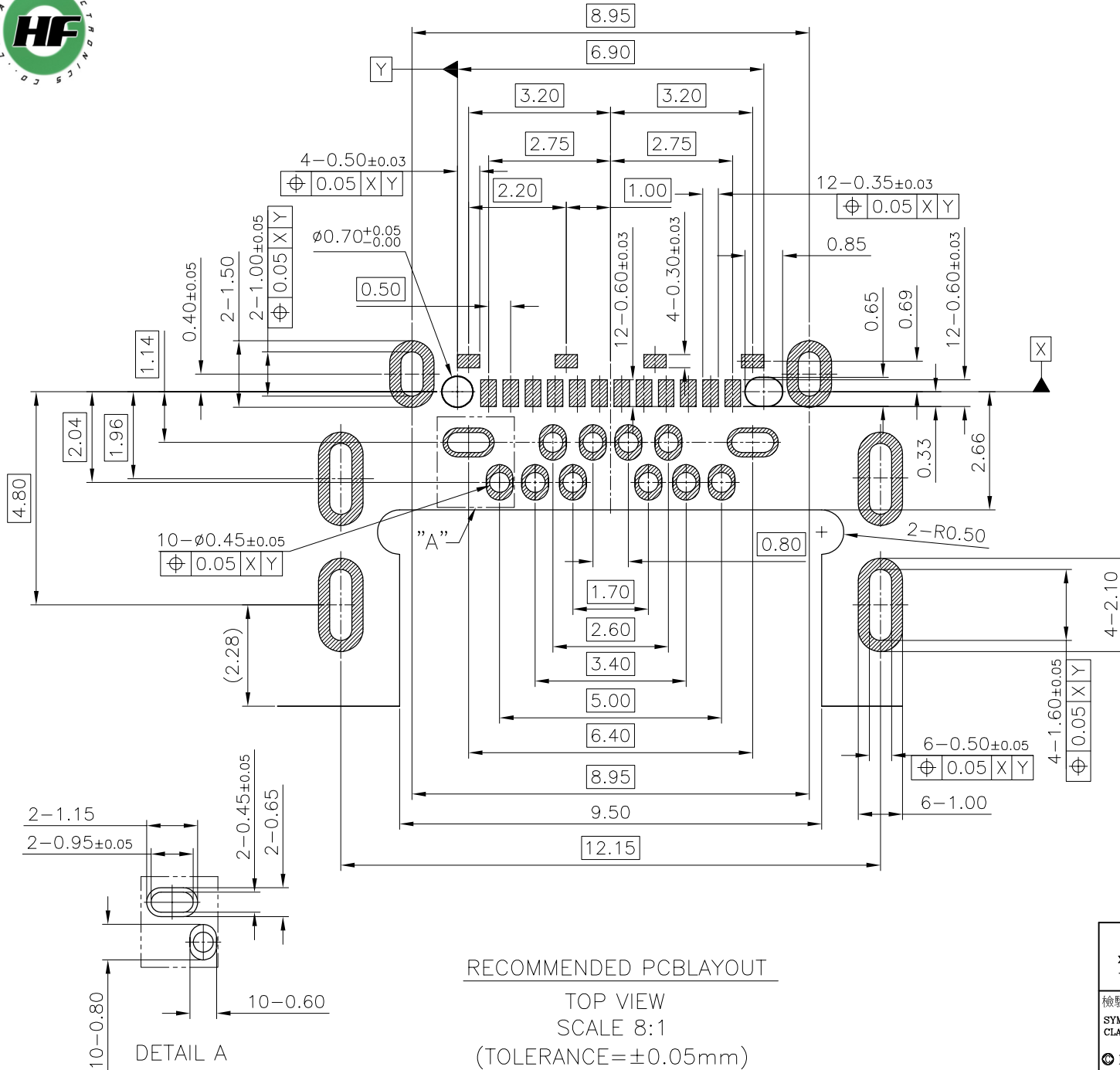
- NOTES:
- MATERIAL:
 - HOUSING: THERMOPLASTIC, HIGH TEMP., UL94V-0;
 - CONTACT: COPPER ALLOY
 - GROUND PLATE: STAINLESS STEEL
 - EMC PAD: STAINLESS STEEL
 - OUTER SHELL: STAINLESS STEEL
 - INNER SHELL: STAINLESS STEEL
 - FINISH:
 - CONTACT:
 - GOLD FLASH ON CONTACT FOR LEAD FREE.
 - D.30u" Au ON CONTACT FOR LEAD FREE.
 - 50u" MIN NICKEL UNDERPLATING OVERALL.
 - SOLDER TAILS: MATTE TIN 60u" MIN. OVER NICKEL.
 - OUTER SHELL :
 - MATTE Sn 60u" MIN ON SOLDERING AREA.
 - 50u" MIN NICKEL UNDERPLATING OVERALL.
 - GROUND PLATE & INNER SHELL :
 - 50u" MIN NICKEL UNDERPLATING OVERALL.
 - SPEC. PLS. REFER TO PS-55907-xxxx-xxx
 - PACKAGE PLS REFER TO 55995-xxxx-xx-TRP
 - PART NUMBER
55995-024 X X-XXX
- NO OF CKT X 001:NONE
PACKING X PLATING
O: TAPE & REEL 2: GOLD FLASH
D: 30u" Au



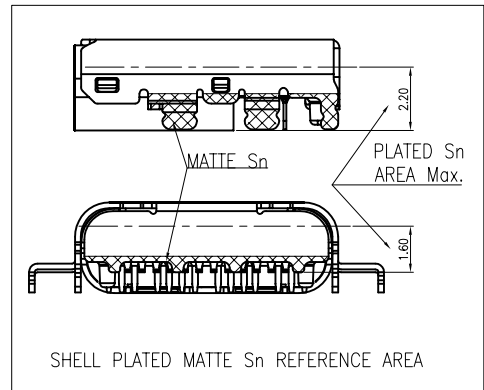
A12	GND	B1	GND
A11	SSRXp2	B2	SSTXp2
A10	SSRXn2	B3	SSTXn2
A9	VBUS	B4	VBUS
A8	SBU1	B5	CC2
A7	Dn1	B6	Dp2
A6	Dp1	B7	Dn2
A5	CC1	B8	SBU2
A4	VBUS	B9	VBUS
A3	SSTXn1	B10	SSRXn1
A2	SSTXp1	B11	SSRXp1
A1	GND	B12	GND

ITEM	DESCRIPTION	Q'TY	PIN	SIGNAL NAME	PIN	SIGNAL NAME
6	OUTER SHELL	1	A6	Dp1	B7	Dn2
5	INNER SHELL	1	A5	CC1	B8	SBU2
4	EMC PAD	1	A4	VBUS	B9	VBUS
3	GROUND PLATE	1	A3	SSTXn1	B10	SSRXn1
2	CONTACT	24	A2	SSTXp1	B11	SSRXp1
1	HOUSING	1	A1	GND	B12	GND

一般公差 TOLERANCES X ±0.50 .XX ±0.15 X ±0.25 .XXX ±0.10 ANGLES ±1°		宏致電子股份有限公司 Aces Electronics Co.,Ltd.	
檢驗尺寸標示 SYMBOLS ⊕ ⊗ INDICATE CLASSIFICATION DIMENSION ⊕ MARK IS CRITICAL DIM. ⊗ MARK IS MAJOR DIM.	品名 (TITLE) USB 3.1 TYPE C Mid-Mount REC ASSY (T/H R/A)	製圖 (DR) 22/01/10 HSU WEI CHUN 審核 (CHKD) 圖號 (DWG.NO) 55995-024XX-XXX 核準 (APPD) 張數 (SHEET) 1 OF 2 SIZE A4 REV A	
表面處理 (FINISH)	比例 (SCALE) 4:1	單位 (UNITS) mm	核准 (APPD) JACK KUO



- NOTES:
- ELECTRICAL CHARACTERISTICS:
 - LOW LEVEL CONTACT RESISTANCE:
 - INITIAL : 40mΩ FOR ALL CONTACT MAX.
 - AFTER : 10mΩ MAX. CHANGE.
 - DIELECTRIC WITHSTANDING VOLTAGE : 100 VAC FOR 1 MINUTE SEA LEVEL.
 - INSULATION RESISTANCE : 100MΩ MIN.
 - CURRENT RATING :
 - VBUS AND GND CONTACT RATED AT 1.25 A EA .
 - PARALLELED FOR A TOTAL OF 5A .
 - MECHANICAL CHARACTERISTICS :
 - INSERTION FORCE : 5N MIN. 20N MAX.
 - EXTRACTION FORCE : 8N MIN. 20N MAX (INITIAL) . 6N MIN. 20N MAX. (AFTER LIFE TEST)
 - DURABILITY : 10,000 CYCLES
 - OPERATING TEMPERATURE : -40°C TO +85°



RECOMMENDED PCBLAYOUT
TOP VIEW
SCALE 8:1
(TOLERANCE=±0.05mm)

一般公差 TOLERANCES X ±0.50 .XX ±0.15 X ±0.25 .XXX ±0.10 ANGLES ±1°		宏致電子股份有限公司 Aces Electronics Co.,Ltd.	
檢驗尺寸標示 SYMBOLS INDICATE CLASSIFICATION DIMENSION	品名 (TITLE) USB 3.1 TYPE C Mid-Mount REC ASSY (T/H R/A)	製圖 (DR) 22/01/10 HSU WEI CHUN 審核 (CHKD) CHANG CHUN TE	
MARK IS CRITICAL DIM. MARK IS MAJOR DIM.	圖號 (DWG.NO) 55995-024XX-XXX	核准 (APPD) JACK KUO	
表面處理 (FINISH)	比例 (SCALE) 單位 (UNITS) 4:1 mm		張數 (SHEET) 2 OF 2 SIZE A4 REV A